

Product Code: RAPID20INTERNAL

Rapid Saddle



Description

20mm Rapid Saddle: Internal Use

Finish

BZP

Material

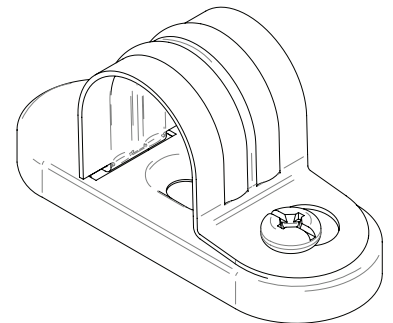
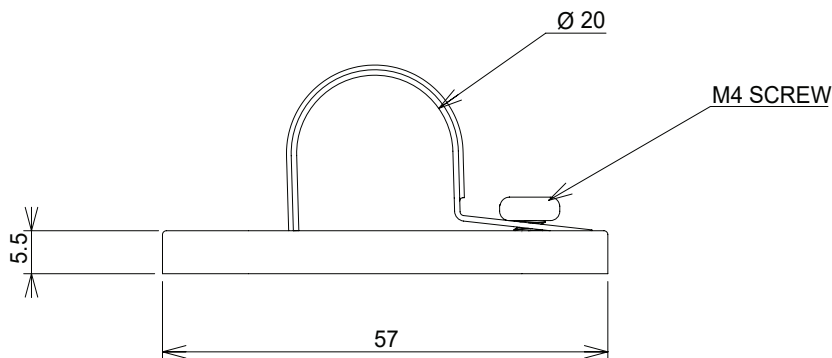
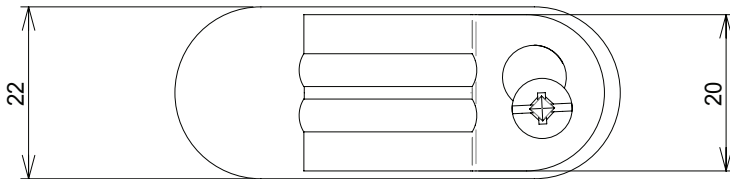
Pressed Steel

Packaging

Packed in qty 100

Additional Notes

Conforms to BSEN61386-1:2008+A1:2019 & BSEN61386-25:2011
Offers over 40% labour savings
Holds conduit tube in situ.
Ideal for working at height



Values are nominal and with a general tolerance $\pm 5\%$ unless otherwise specified