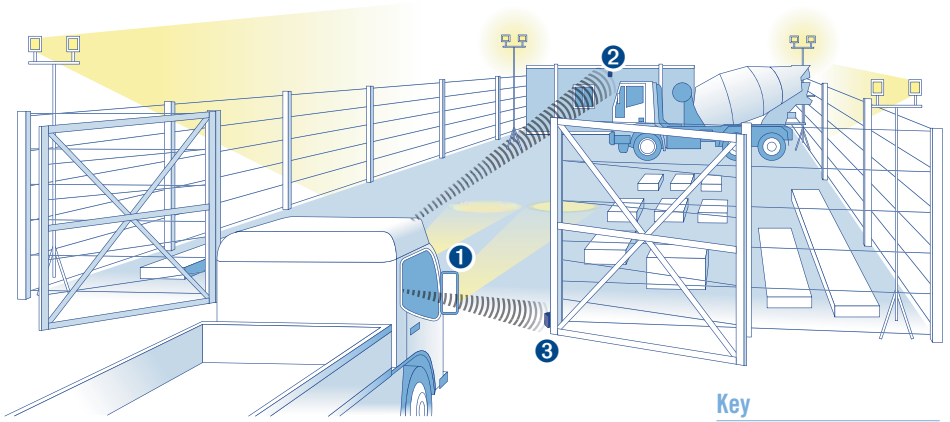


Speed up Operations and Aid Security

Wirelessly Operate Lights and/or Electric Gates

“Matching security coded key fobs can be supplied for your entire fleet”



Key
..... Transmitter Signal

With their impressive 100m range and long battery life EasySwitch **Key Fobs 1** offer the perfect solution for long distance, reliable wireless automation. In conjunction with the ESR.4 **Receiver 2** up to four circuits can be switched from a single transmitter to operate gates **3**, lights or roller shutters for example.

Products used in above scenario

Wireless Key Fob Transmitter



- compatible with all receivers
- single or four circuit version
- may be used individually or in conjunction with EST1 transmitters and ESD detectors/transmitters
- up to 100 metre range.

Four Circuit Switching Receiver



- IP66 weatherproof rating
- 220–240V supply
- 4 independent 16 amp relays
- control up to 4 circuits
- can be used with 1–16 transmitters.

Single Circuit Switching Receiver



- IP66 weatherproof rating
- 240V and 12V versions
- suitable for loads up to 1KW
- can be used with 1–16 transmitters.

Wireless Transmitters

Wireless Switching Transmitter



- does not require any cabling
- uses 3 x AAA alkaline batteries
- switch up to four circuits
- fits into standard backbox or 35mm flush mounted box
- for use with 1–4 gang switches
- up to 100 metre range.

Wireless Key Fob Transmitter



- compatible with all receivers
- single or four circuit version
- may be used individually or in conjunction with EST1 transmitters and ESD detectors/transmitters
- up to 100 metre range.

PIR Detector/Transmitter



- battery operated
- 2 year battery life
- IP65 weatherproof rating
- up to 100m transmitter range
- adjustable timer (5 sec to 30 min)
- 3 detection patterns available*.

* Please see website for detection patterns

Internal/ External Receivers

Mains Operated Plug-in Beeper



- 5 second audible beep
- works with PIR detector or key fob
- day, night or day and night modes.

Plug-in Remote Control Socket



- instant wireless remote switch
- compatible with all transmitters
- ideal for operating table lamps and other plug-in appliances.

Mix and match products to create your perfect system. Please visit www.luminite.co.uk for further information

On/Off Receiver



- IP66 weatherproof rating
- 240V and 12V versions
- suitable for loads up to 1KW
- can be used with 1–16 transmitters.

Four Channel Receiver



- IP66 weatherproof rating
- 220–240V supply
- 4 independent 16 amp relays
- control up to 4 circuits
- can be used with 1–16 transmitters.

* Includes ESF4 four button key fob



Designed and Manufactured in the UK



Luminite Electronics Ltd, 2a Bellevue Road, Friern Barnet, London N11 3ER
t: +44 (0) 20 8368 7887 f: +44 (0) 20 8368 3952 e: info@luminite.co.uk

EasySwitch Wireless Detection and Automation System

PIR Detection



Remote Switching



Home Automation



Remote Audible Warning

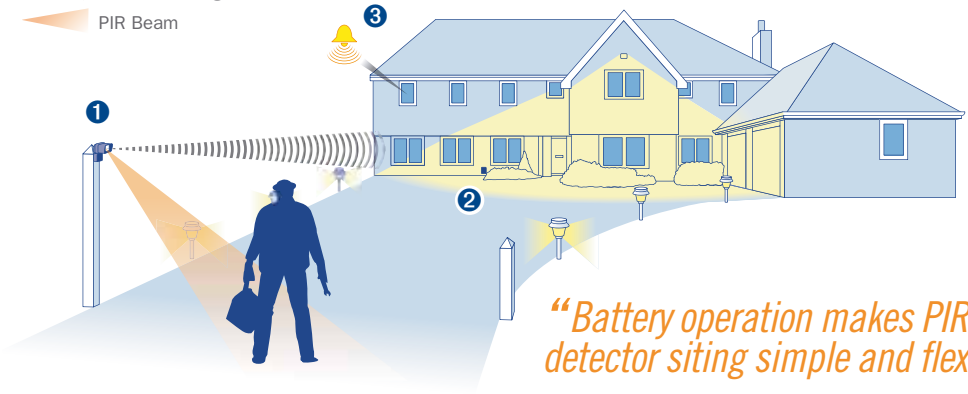


Suitable for hundreds of applications, please see example scenarios within...

External PIR Wirelessly Controls Outside Lights & Internal Beeper

Key

- Transmitter Signal
- ▶ PIR Beam



Battery powered, weatherproof and self contained, EasySwitch **PIR Detectors** ① with powerful built in transmitters give you the flexibility to site them anywhere within 100m of an EasySwitch **Receiver** ②. In this example once the detector is activated it sends a signal to the receiver to turn on security lights, it also sends a signal to the **Plug-in Beeper** ③ to announce the detection. Multiple PIRs can be used with a single receiver to provide maximum coverage.

Products used in above scenario

PIR Detector/Transmitter



- battery operated
- 2 year battery life
- IP65 weatherproof rating
- up to 100m transmitter range
- adjustable timer (5 sec to 30 min)
- 3 detection patterns available.

Single Circuit Switching Receiver



- IP66 weatherproof rating
- 240V and 12V versions
- suitable for loads up to 1KW
- can be used with 1–16 transmitters.

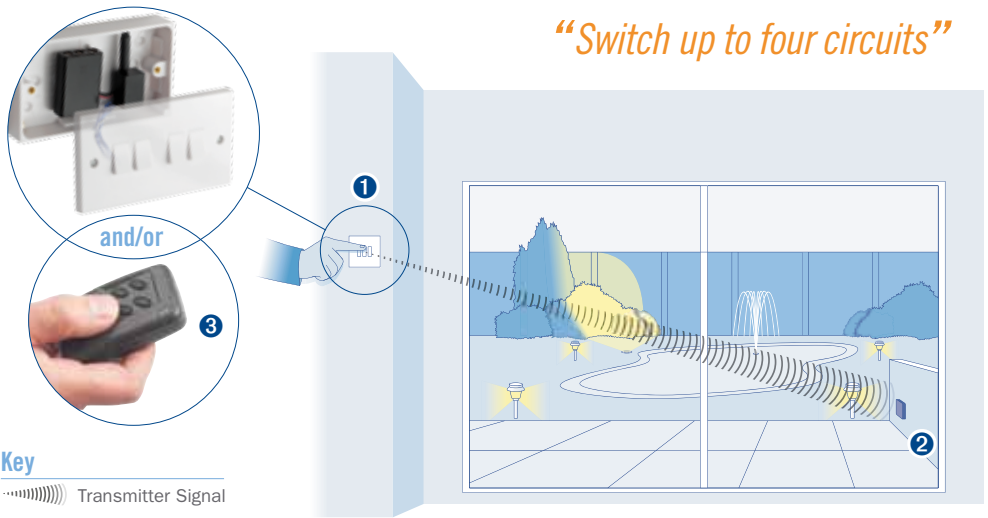
Mains Operated Plug-in Beeper



- 5 second audible beep
- works with PIR detector or key fob
- day, night or day and night modes.

Wirelessly Control Garden Lighting & Features Without the Need to Chase Walls

“Switch up to four circuits”



Key

..... Transmitter Signal

The **Wall Switch Transmitter** ① combined with an EasySwitch **Receiver** ② allows you to position a switch virtually anywhere within your home or premises*. The compact dimensions of the transmitter and battery power pack allow it to be fitted behind any conventional light switch, (no power or switching cables required). The wall switch transmitter or **Key Fob** ③ can be used with any of our receivers to provide single circuit or up to four circuit switching.

Products used in above scenario

*Up to 200m, subject to conditions

Wall Switch Transmitter



- does not require any cabling
- uses 3 x AAA alkaline batteries
- switch up to four circuits
- fits into standard backbox or 35mm flush mounted box
- for use with 1–4 gang switches
- up to 100 metre range.

Four Circuit Switching Receiver



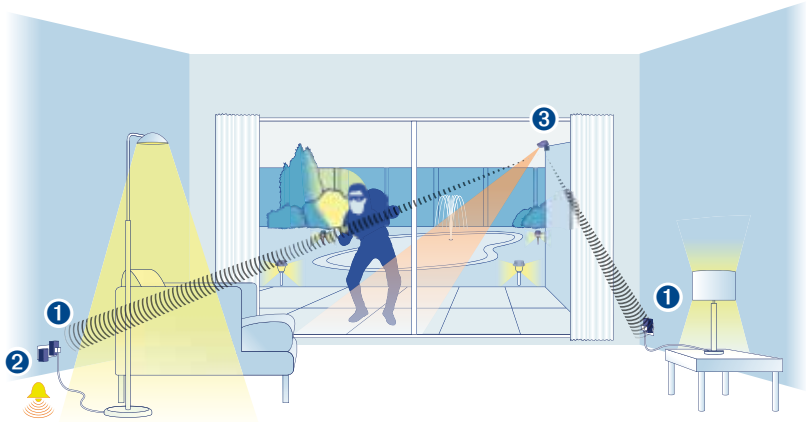
- IP66 weatherproof rating
- 220–240V supply
- 4 independent 16 amp relays
- control up to 4 circuits
- can be used with 1–16 transmitters.

Wireless Key Fob Transmitter



- compatible with all receivers
- single or four circuit version
- may be used individually or in conjunction with EST1 transmitters and ESD detectors/transmitters
- up to 100 metre range.

External PIR Wirelessly Controls Internal Lights & Beeper



Key

- Transmitter Signal
- ▶ PIR Beam

“Set up a system in minutes”

EasySwitch internal mains operated **Remote Control Sockets** ① can be combined with one or a number of EasySwitch external **PIR Detectors** ③ to create an effective intruder deterrent. Once activated the detector wirelessly transmits to the internal Remote Control Sockets to switch on lights and/or operate a **Plug-in Beeper** ②.

Products used in above scenario

Plug-in Remote Control Socket



- instant wireless remote switch
- compatible with all transmitters
- ideal for operating table lamps and other plug-in appliances.

Mains Operated Plug-in Beeper



- 5 second audible beep
- works with PIR detector or key fob
- day, night or day and night modes.

PIR Detector/Transmitter



- battery operated
- 2 year battery life
- IP65 weatherproof rating
- up to 100m transmitter range
- adjustable timer (5 sec to 30 min)
- 3 detection patterns available.