

LEDLITE™ Installation Sheet

LTSPSF3

Surface Mounted Frame for LTSP32CCT Panel Lights

Read these instructions before commencing installation and retain them for future reference.



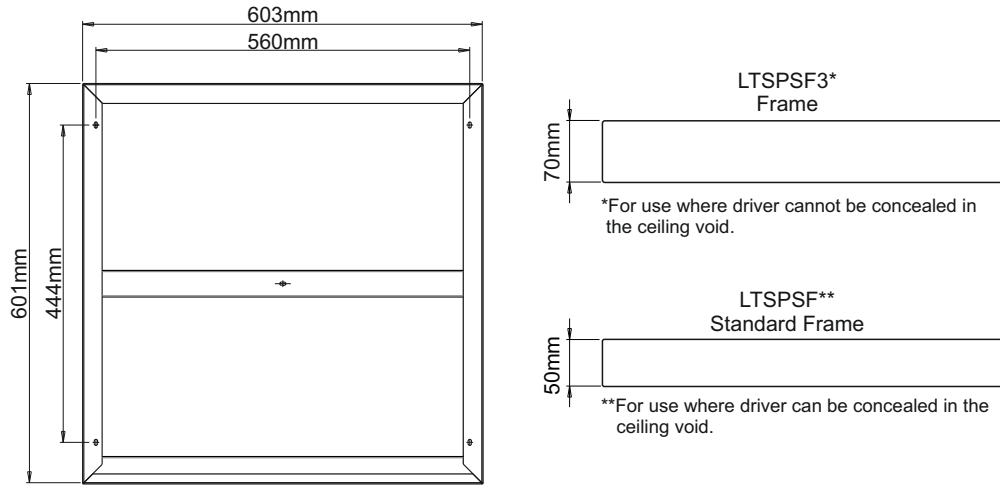
Important information

It is recommended that luminaires are installed by a qualified electrician ensuring the installation complies to current IEE wiring regulations & local building control. These products are designed for use with LTSP32CCT Slim Panel Lights. LEDLite will not accept responsibility for any claims arising from a poor installation.


Important User Advice

Always switch off mains supply before servicing.
This frame is suitable for indoor use only.

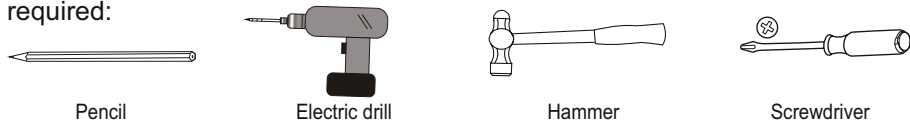
Dimensions (mm):



Installation Procedure

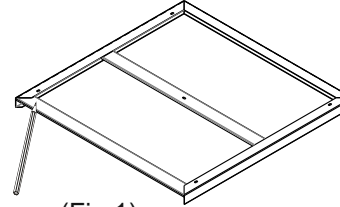
 **Warning!** Switch off the power source before installation & maintenance

Tools required:

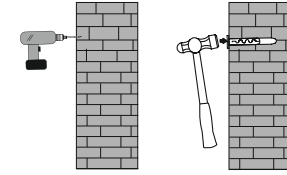


Step 1: Identify the location and direction of any hidden supply cables or service pipes before drilling fixing holes.

Step 2: Using the frame as a guide, mark the position of the fixing holes onto the wall/ceiling surface adjacent to the supply wiring (Fig.1).



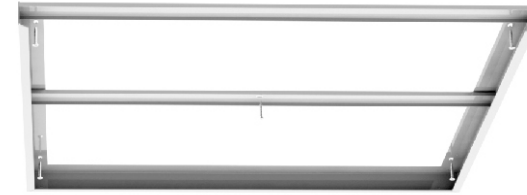
(Fig.1)



(Fig.2)

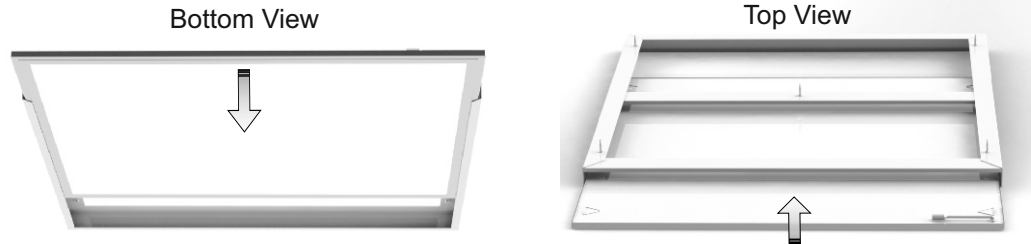
Step 3: Drill holes at the positions marked and fit the plastic wall plugs (Fig.2).

Step 4: Fix the frame to the wall/ceiling by inserting the fixing screws provided into the wall plugs. (Fig. 3)



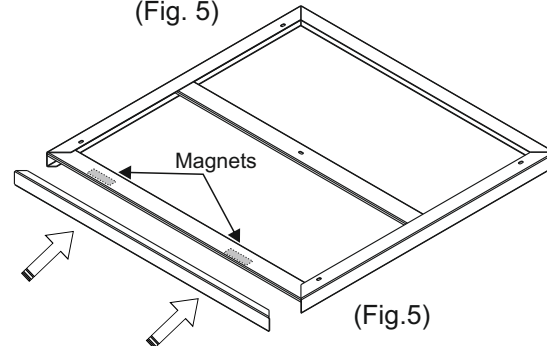
(Fig.3)

Step 5: Slide the LTSP32CCT Panel Lights into the frame (Fig. 4)



(Fig.4)

Step 6: Using the magnets on the installed frame, add the side panel to cover the end. (Fig. 5)



(Fig.5)



Installed frame & panel