

Black Garden Spike / Wall Light

LT-GL01B



Please read these instructions and retain them for future reference.

Important information

It is recommended that the fittings are installed by a qualified electrician ensuring the installation complies with current IEE wiring regulations & local building control.

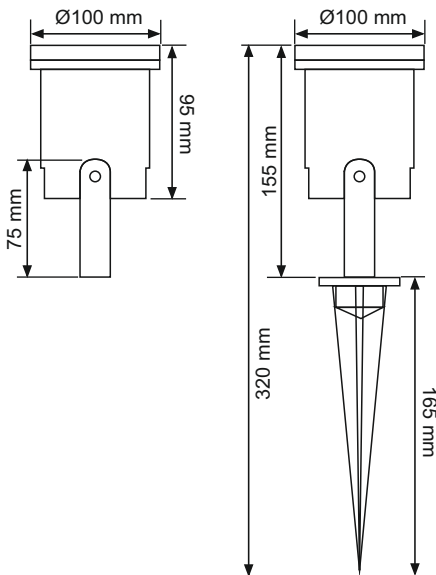
- These products are designed for connection to a 220-240V mains supply.
- This luminaire is suitable for a GU10 LED or Halogen lamp, 50W max (halogen).
- We cannot accept responsibility for any claims arising from a poor installation.

Never fit lamps of a higher wattage or of a type other than those specified on the label as this may cause overheating and damage the fitting.

Important User Advice

- Always switch off mains supply before installation.
- The light fitting is Class I and it requires an earth connection.

Dimensions:



Specifications:

- Mains GU10 LED or Halogen Lamp (not included)
- Voltage: 220-240V/AC
- Frequency: 50/60Hz
- Max Load: 50W (Halogen)
- IP Rating: IP65
- Body Colour: Black
- Tempered Glass
- Die Cast Aluminium Body
- Pre wired with 2m rubberised cable
- Complete with Allen Key & Hex Screws
- 2 year warranty

Before you start the installation

- Check the packaging and make sure that you have all the required parts.
- Follow each assembly step in order to prevent incorrect installation.
- Decide the position of the fitting. Depending on the location an outdoor rated plug and socket may be required. Alternatively an IP rated outdoor connection box may be used.
- Position cables and connector box away from areas where they may be at risk from being cut, trapped or damaged.
- Do not install in very wet or boggy areas or near electrical cables, water or gas pipes.
- Make sure all screws / nuts, including electrical connections etc are fully tightened before use.

Wiring

3 pin Plug:

- The garden light must be connected to a 240V AC supply.
- It can be fitted to a rewireable 3 pin UK plug with a 3 amp fuse. Should the fuse require replacement, it must be replaced with a fuse rated at 3 amp. Please see **Fig. 1** for wiring instructions.

Brown - Live

Green/Yellow - Earth

Blue - Neutral

IP Rated Outdoor Connection Box:

- Having correctly identified the wiring from your garden light fitting, connect the cable to the IP rated outdoor connection box terminal block as shown in **Fig. 2**.

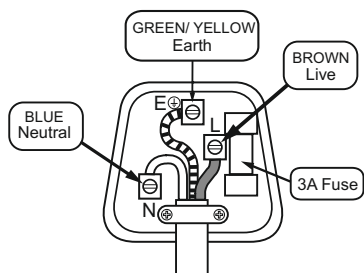


Fig. 1
3 pin UK Plug wiring

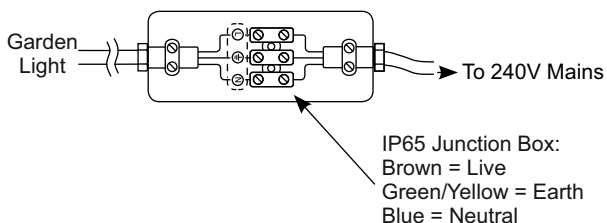


Fig. 2 (EG.)
IP Rated Outdoor Connection Box wiring

Installation Steps

Install the garden light as shown in the **Fig. 3** using the following steps:

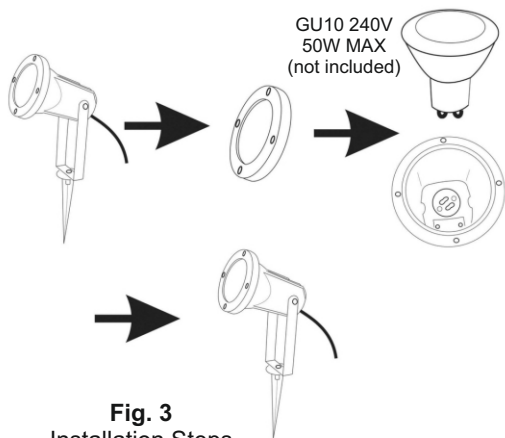


Fig. 3
Installation Steps

1. Switch off the mains supply.
2. Screw the fitting in place on the wall or mount on the spike fully inserting into the ground.
3. Remove the cover by unscrewing the Allen screws with the Allen key provided.
4. Insert the lamp into the GU10 socket inside the fitting. Do not exceed the maximum wattage.
5. Attach the cover ensuring the gasket is fitted correctly.
6. Tighten the screws in a cross-wide order using the Allen key provided to achieve an even pressure on the gasket.
7. Power up the fitting and test for correct operation.