



Olivera Shade Range

Decorative Lighting



Data Sheet

Product Information

Olivera E27 Pendant Range are ideal for Domestic and Hospitality applications. With two sizes & two finishes available black/copper and grey/copper.

Comes with a 1 year warranty for your peace of mind.

Product Features

- 1 year warranty
- Suitable for E27 and E27 LED filament lamps
- Suitable for use with KSR1650
- Available in Black/Copper and Grey/Copper Finishes
- 2 Sizes Available



Product Specification

Product Code	Product Description	Wattage (W)	Screw Cap	Lumens (lm)	Energy Efficiency Class	Protection Class
KSR1651BLK/COP	Olivera Large Lamp Shade Black/Copper	10w LED Max	E27	Varies	Dependant on lamp choice	N/A
KSR1651GRY/COP	Olivera Large Lamp Shade Grey/Copper	10w LED Max	E27	Varies	Dependant on lamp choice	N/A
KSR1667BLK/COP	Olivera Small Lamp Shade Black/Copper	10w LED Max	E27	Varies	Dependant on lamp choice	N/A
KSR1667GRY/COP	Olivera Small Lamp Shade Grey/Copper	10w LED Max	E27	Varies	Dependant on lamp choice	N/A

Nominal voltage	220-240VAC
Operating frequency	50/60Hz
Circuit Wattage	Dependant on lamp
Circuit Current	Dependant on lamp
Driver Current rating	N/A
PFC	varies
In Rush Current	varies
Ambient temperature range	0°C~+35°C
Start time	< 0.5 sec
IP rating	20

Construction

Shade: Terylene Cotton

Standards

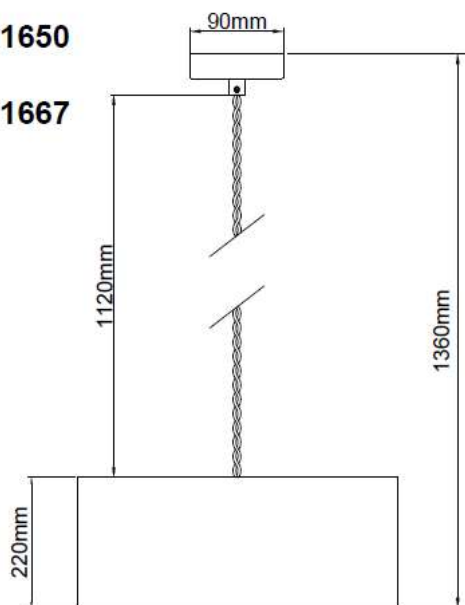
BSEN60598-1:2021 Luminaires – Part 1: General requirements and tests

In Conformity with

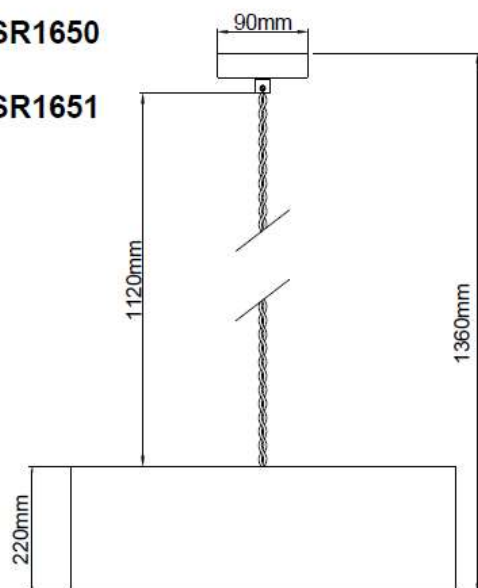
RoHS Restriction of hazardous substances 2015/863/EU

Product Dimensions

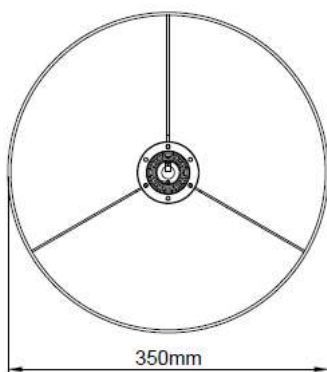
**KSR1650
&
KSR1667**



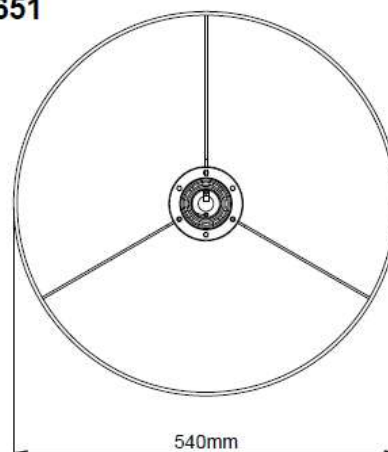
**KSR1650
&
KSR1651**



KSR1667



KSR1651



KSR Lighting is constantly developing and improving its products. For this reason, all product descriptions in this data sheet are intended as a general guide, and KSR may change specifications from time to time in the interest of product development, without prior notification or public announcement. All descriptions in this data sheet present only general particulars of the goods to which they refer and shall not form part of any contract. Data in this guide has been obtained in controlled experimental conditions. However, KSR Lighting cannot accept any liability arising from the reliance on such data to the extent permitted.