

JC1026/WH

V50™ Pro

V50™ Pro Tilt Fire-rated LED Downlight 6W IP65 3000/4000K White

Features & Benefits

- IP65, suitable for bathrooms with a slimline double hinged driver, including colour coded loop in/loop out terminals
- 20° Tilt and 350° rotation, suitable for cut outs Ø86mm
- Low profile design, for installations in shallow 50mm ceiling voids
- Selectable colour temperature of 3000K & 4000K
- See jcc.co.uk for latest Fire test reports
- This product contains a light source of energy efficiency class F



General Information

Mounting	Recessed
Trade Name	V50™ Pro
Environment	Indoor
Product Group	Fire-rated Downlights
Color Finish	White
Product Shape	Round
Product Range	Fire-rated Downlights
Overall Dimensions	Ø100 x 62.7
Height (mm)	62.7
Diameter (mm)	100
Product Weight(kg)	0.380
Light Source	LED
Light Source Features	Colour Selectable
Additional Information	Maximum ceiling thickness is 30mm
Overall Dimensions (mm) Rim	Ø100
Recommended Product Location	Indoor use only
Minimum Void Requirement	50mm
Method Of Fix	Recessed with Spring Clips
Product Aperture Size	Ø86mm
Max Angle Of Tilt & Rotation	20° Tilt/350° rotation
IP Rating	IP65

Duration of Fire protection (Mins)	Tested for use in fire-rated ceilings. Full information and up-to-date fire testing certificates for ceiling system types are available on JCC.CO.UK
Origin of manufacturer	Made In China
Warranty	5 Year Warranty(domestic) 3 Year(Commercial) (See Website for terms and conditions)
Dimming Protocol Compatibility	Triac
Driver Manufacturer	JCC
LED Manufacturer/Type	Hongli
Customs Tariff code**	9405421000

Electrical

Voltage Rating	230-240
Primary Running Current(Amp)	0.042
Operating Frequency Hz	50/60Hz
Secondary running current(mA)	145
Constant Current or Constant Voltage	CC
Luminaire Circuit Wattage	6
Class	II
Output Voltage Max/Range (VDC)	30-44
Input Electrical Connections	Colour coded Push Fit Terminals LEN Loop In/Loop Out
Dimmable	Yes
Max No. In Run	20

Thermals

Insulation Coverage	Loosely Cover with Mineral Wool Insulation
Minimum Void Requirement	50mm
Operating Temperature Range °C	0 to 26

Performance Data

LED Life (Hours)*	51000
Energy Rating	This product contains a light source of energy efficiency class D
Actual Lumen Output	650/700
Lumens Per Circuit Watt	108/116
Color Rendering Index	80-89
CRI: Ra	80
Correlated Color Temperature	3000K/4000K
Beam Angle °	60
LOR (Light Output Ratio) %	100
Photometry Available	Yes: available on request.

Construction

Primary Material	Steel
------------------	--------------

Lens
Heat Sink
Driver Housing
Rim Or Attachment

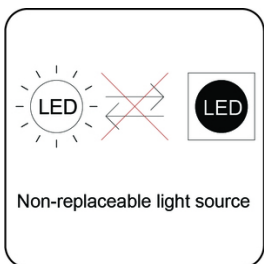
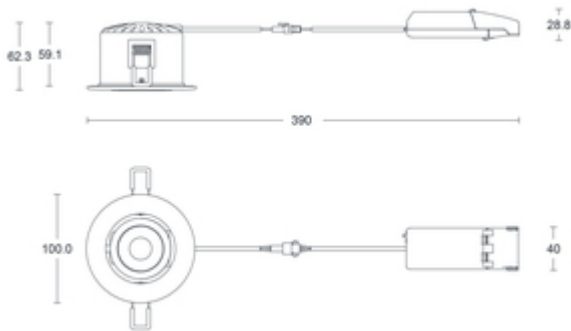
Polycarbonate
Aluminium
Polycarbonate
Die-cast Aluminium

Packaging

Product Packaged Weight(kg)	0.43
Quantity Per Outer Carton	20
Outer carton(L)- cm	61
Outer carton(W)- cm	24.5
Outer carton(H)- cm	17
Outer carton Net weight- kg	8.57
Outer carton Gross weight- kg	8.98
Product Bar Code EAN-13 Number	5052544113215
Outer carton Bar Code ITF-14 Number	15052544113212

Standards & Approvals

Manufactured In Accordance To	BS EN 60598:2015, 2-1, 2-2
CE Marked	Yes
UKCA Marked	Yes
Date code/Purchase order No.	Yes
WEEE Symbol	Yes
Certificate Of Conformity	Available on request
Accredited Members	LIA, ISO9001-2015, ISO14001-2015



*Hours life stated is an indication of expected L70 chip and light output calculations when operating in optimum conditions. Product warranty period supports the full product during the term given. The L70 hours expectancy is not correlated with the full product warranty term, nor is it a representation of lumen depreciation during the warranty period.

**JCC Lighting Limited makes every effort to ensure that the Customs Tariff information in this document is timely and accurate. However, it's not possible for us to assure the absolute veracity and completeness of that information, as errors may occur. The placement of any inaccurate tariff information is completely unintentional. JCC Lighting Limited reserves the right, in its sole discretion, to correct any errors or omissions to the tariff code and to make any and all changes contained in this document at any time and without notice. It is the sole responsibility of the importer to ensure that the commodity code advised is correct for the products/goods being supplied by JCC Lighting Limited. JCC Lighting Limited does not assume any liabilities, losses, costs, and expenses arising out of or related to the importers use of this commodity code or the information related to the import of any JCC Lighting products.

JCC Lighting LTD, Lux Park, Chichester Business Park, City Fields Way, Tangmere, Chichester, West Sussex, PO20 2FT.

Sales: 01243 838999 (8am to 5pm Monday to Friday) Fax: 01243 838998 | sales@jcc.co.uk | www.jcc.co.uk

Company Registration Number: 03044848 | VAT Number: 918544112

This document is uncontrolled if printed, all information is subject to change

Version 180 [27/10/2023]