

LCD Automatic Aerosol Dispenser User Manual

Thanks for becoming a user of our product which will bring you convenience and happiness.

Aerosol Dispenser

This aerosol dispenser uses digital circuit and infrared coding tech and it has precise time setting, low power consumption, high efficient and easy to use.

The dispenser is widely used in hotel, office, restaurant, airport, stadium, casino, school, bus&railway station, cinema, family and other public place. The dispenser can be hung at higher place because it is set by remote controller and avoid to be stolen. Higher place hangs enable the dispenser spraying coverage wider and equal. See the dispenser components as Diagram 2.

Setting Button

The dispenser has 7 buttons and its function as Diagram 1.

RESET: Press one time to clear previous setting when you need to set a new working program.

SPRAY: Press one time and indicator flashes green&red each 3times then the dispenser release one shot automatically.

MODEL:

ON/OFF: Press one time LCD shows ON and indicator flashes green&red each 3times then the dispenser release one shot automatically. If any other button is not pressed within 10seconds then the clock starts with 00:00 and the dispenser enters into its default operation mode: Interval is 15minutes and working time is 24hours. Another press stops spraying(Action on other button(Except RESET) does not function at that time).

SPRAY START: Press MODE button for 2seconds, LCD shows "START" then press HOUR&MIN to set dispenser starting time.

SPRAY STOP: Press MODE button, LCD shows "STOP" then press HOUR&MIN to set dispenser stopping time.

SPRAY TIMES: Press MODE button, LCD shows "SPRAY" and total spray times at the same time. Generally, a refill can with volume 300ml can spray 3000times. If you want to clear spray times, press ON/OFF continuously two twice(It is better to do it when replace new refill can).

INTERVAL SPRAY TIME: Press MODE button, LCD shows "INTERVAL" then press MIN to set dispenser working interval from 1minute to 60minutes freely.

SPRAY DAY: Press MODE button, LCD shows "WEEK" then press WEEK to set dispenser working from Monday to Friday and weekend.

CLOCK: Press MODE button, LCD shows " CLOCK" then press HOUR&MIN to set real time. Please press WEEK to set real date at the same time.

Note: Press MODE button to set each function and enter next function.

Technical Data Sheet:

Aerosol Dispenser Voltage = 3V Static Current ≤ 1mA

Notes

1. Never hold nozzle to people' s face.
2. The ambient temperature should be less than 50°C.
3. Never use thinner or other chemical liquid to clean the machine surface.
4. The dispenser alarms "De De De" and battery mark on LCD is flashing when power is less.
5. Power off the dispenser and change battery within one minute to keep original set working program.

Packing List

Aerosol dispenser: 1 pc

User manual: 1 pc

Key and lock: each 1 pc

Installation part: 1 set

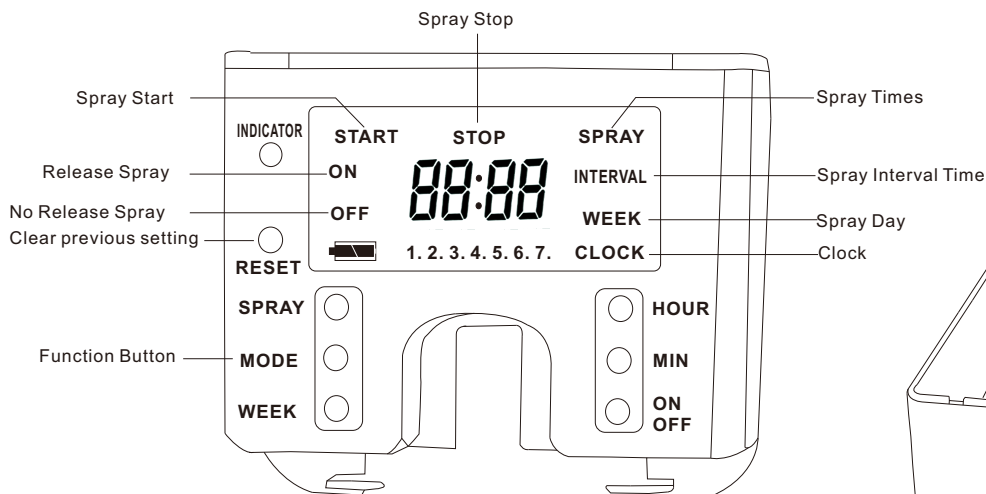


Diagram 1

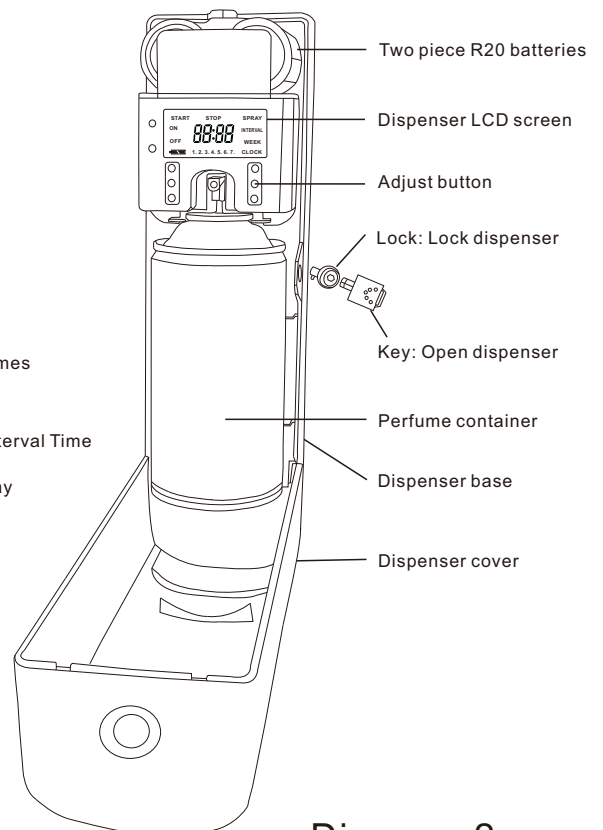


Diagram 2