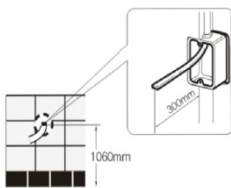


## Installation Method

### First Fix

- A Recessed Junction box should be installed to allow hand dryer to sit flush with the wall. Height should be determined from table overleaf



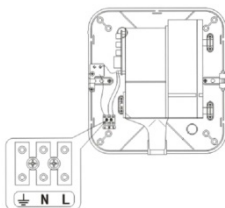
### Cover Removal

- Remove the Allen Screws on either side of the hand dryer, lift off cover and disconnect earth cable. Make sure to put the cover in a location where it will not be damaged.



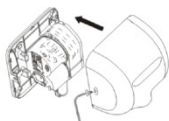
### Mounting

- Drill mounting holes according to the area that the Hand Dryer is to be installed in (see Overleaf) & mount the hand dryer.
- Connect the electrical cables and ensure correct Polarity.
- Adjust Sensitivity to installed location using the adjustment on the PCB.



### Replace Cover

- Reconnect the earth cable and replace the cover onto the base of the hand dryer. **NOTE: Z-2801M does not have an earth cable on the cover**
- Install the two Allen Screws and test the hand dryer



## Daily Use & Maintenance

### External Maintenance:

- Regularly clean cover with a soft cloth, do not use harsh detergents, Acid or Alkali Based Cleaning products or cleaning brushes as they may damage the cover finish.
- If using a chemically impregnated cloth please test on an inconspicuous area prior to use to check suitability.



Infra-Red Sensor

### Internal Maintenance

- After turning off the power supply, remove cover and check all connections,
- Clean away any dirt that has deposited inside the hand dryer.
- Remove the motor housing and check the brushes on the motor for wear. **Replace worn Brushes.**

Please note: Brushes are a consumable item and are not covered under warranty

### Method Of Operation:



Insert the back of your hands



Turn your hands over



Rub your hands together until dry

## Packing List

ATC Cheetah Hand Dryer	User Manual
5mm Plastic wall plug x4	Allen Key
30mm Self Tapping Screws x4	

For Sales and Service enquiries please contact **atc** on the numbers below.

**atc**  
ELECTRICAL &  
MECHANICAL  
Heating & Ventilation Division

atc House,  
Broomhill Drive  
Tallaght  
Dublin 24  
IRELAND

PH 003531 4625111  
FX 003531 4520887  
Email: sales@atc.ie

**www.atc.ie**

# ATC CHEETAH Hand Dryer

Z-2801 M/W

**atc**

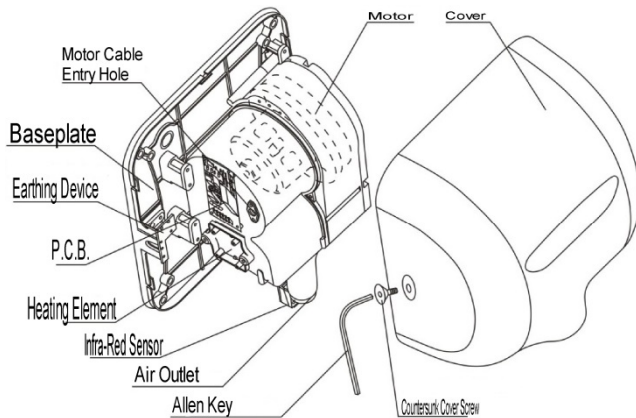
## Specification

Voltage	230v ~ 50Hz	Sound Level	78.7dB@1m
Phase	1Φ	Sensor Range	15-20cm
Load	1400w	IP Class	IPX1
Air Speed	65m/s	Size (mm)	295x320x170
Heat level	850w	Nett Weight	4.1kg

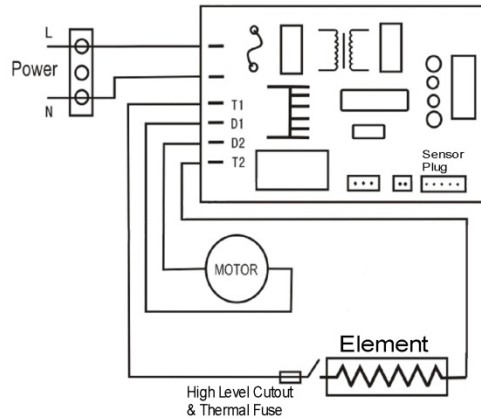
## Features

- Infra-Red operated Hygienic High Speed hand dryer
- Solid Stainless Steel or Cast Aluminium Cover
- Auto stop Function after 40s to prevent overrun
- Automatic Heating System shuts the element down when incoming air temperature is sufficient to dry your hands.

## Product Description



## Circuit Diagram



## Environmental Protection



Waste electrical products should not be disposed of with household waste, please recycle this product where the facilities exist. Please check with your local authority

## Warranty

ATC Electrical & Mechanical provides a 1-year limited parts warranty for the Z-2801 M/L as long as the following conditions are followed:

Installation and use of the hand dryer is in accordance with the instruction manual, which is packed with hand dryer. In order to arrange service for the hand dryer the following information is required.

Receipt number:

\_\_\_\_\_

Date of Manufacture:

\_\_\_\_\_

Date of Purchase:

\_\_\_\_\_

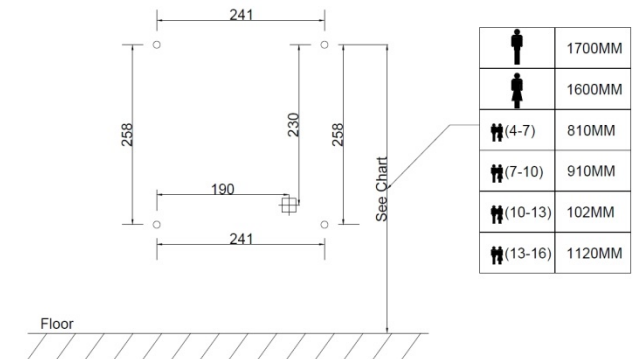
## Precautions before installation

Do not install in the following locations; Installation in these areas can cause the unit to malfunction

- Areas with Temperatures below 0°C or above 40°C
- In direct Sunlight or areas above reflective surfaces
- Areas where the unit can come into direct contact with water
- Above counters or sinks
- Areas of High moisture and Humidity levels
- Locations containing Corrosive or Oxidizing gasses
- Areas at Altitude above 2000m

## Installation Location

- The Chart below shows the recommended mounting height for the Hand Dryer.
- Make sure the dryer is mounted more than 150mm away from walls on either side of the dryer.
- Ensure the wall the hand dryer is mounted on is flat and smooth.
- Do not mount the unit behind doors where the opening of the door may damage the dryer
- Do not install the dryer with the power connected; the dryer must be connected by a qualified electrician when being installed.



The power cord Supplying the hand dryer should be at least 1.5m<sup>2</sup> 2 Core & Earth