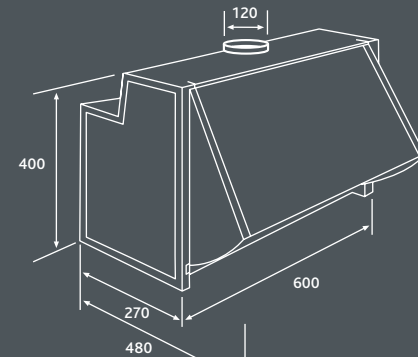


Integrata NG

CLASSIC / CANOPY / INTEGRATED



Finish	Grey
Controls	3 speed slider control
Lights	2 x 40w hob lamps
Grease filter	Metal washable grease filters
Ducting connector	100mm (4") diameter (Std) 125mm (5") diameter (Lux)
Available widths	600mm
Maximum airflow	300m ³ /h (Std), 540m ³ /h (Lux)
IEC airflow	270m ³ /h (Std), 480m ³ /h (Lux)
Noise level	50-62 dB(A) (Std), 55-68 dB(A) (Lux)
Power consumption	240w
Charcoal Filter	F00366/1S (Lux 2 required)

Description

Code

INTEGRATA NG STD	INTEGRATA NG STD GR/F/60	5414464
INTEGRATA NG LUX	INTEGRATA NG LUX GR/F/60	5414465