

THESE INSTRUCTIONS SHOULD BE READ CAREFULLY AND RETAINED FOR FUTURE REFERENCE

IMPORTANT SAFETY ADVICE

Because the IRXE Heater contains no moving parts, little maintenance is required. Before undertaking any maintenance work on the heater, due attention must be paid to the following:

This heater is designed to be horizontally wall mounted only, it must not be ceiling mounted.

Always ensure a safe mounting height, at or above a minimum height of 1.8 metres from ground level, so that the heater can not be touched when in operation.

The heater must be wall mounted level $\pm 5^\circ$ to the horizontal.

This appliance can be used by children aged from 8 years and above and persons with reduced physical, sensory or mental capabilities or lack of experience or knowledge if they have been given supervision or instruction concerning the use of the appliance in a safe way and understand the hazards involved.

Children shall not play with the appliance. Cleaning and user maintenance shall not be made by children without supervision.

Children of less than 3 years should be kept away unless continuously supervised.

Children aged from 3 years and less than 8 years shall only switch on/off the appliance provided that it has been placed or installed in its intended normal operating position and they have been given supervision or instruction concerning the use of the appliance in a safe way and understand the hazards involved.

Children aged from 3 years and less than 8 years shall not plug in, regulate and clean the appliance or perform user maintenance.

DO NOT locate the heater immediately above or below a fixed socket outlet or connection box.

Always disconnect the heater from the electricity supply before attempting to work on or near it.

Always ensure a safe means of access using an access tower or properly supported ladder.

DO NOT cover the heater.

Keep combustible materials away from the heater.

DO NOT look into the heater for prolonged periods.

DO NOT use the heater if the elements are broken - as injury may occur.

Allow adequate time (minimum of 30 mins.) for the elements and body casing to cool before attempting to work on the heater.

DO NOT allow the supply cord to sit or hang in front of the heater while in use.

NOTE: Provide sufficient slack to the cable to allow for angular adjustment of the body.

The bulbs are extremely fragile and must be handled with extreme care at all times. If the bulb is accidentally touched by bare fingers remove the fingerprint with a soft cloth moistened with methylated spirits.

DO NOT use this heater in the immediate surroundings of a bath, shower or a swimming pool.

This device is not fitted with equipment for regulating room temperature. The heater must not be used in small rooms occupied by people who cannot leave the room without assistance unless continuous monitoring is guaranteed.

Some parts of this product can become very hot and cause burns. Particular attention has to be given where children and vulnerable people are present.

Connection only to fixed installed cables! The hardwired electrical installation must be provided with a disconnect device with a contact gap of at least 3 mm at each pole (e.g. automatic circuit breaker)!

Fig. 1

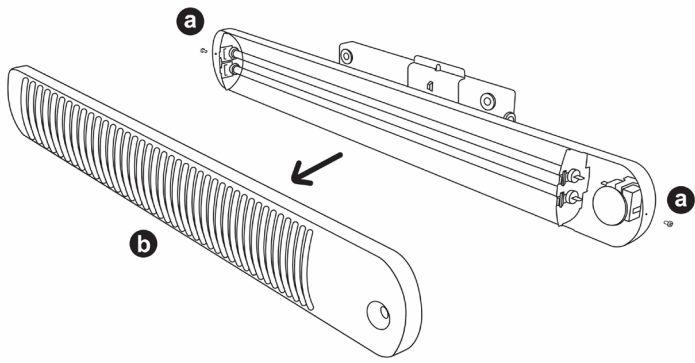


Fig. 2

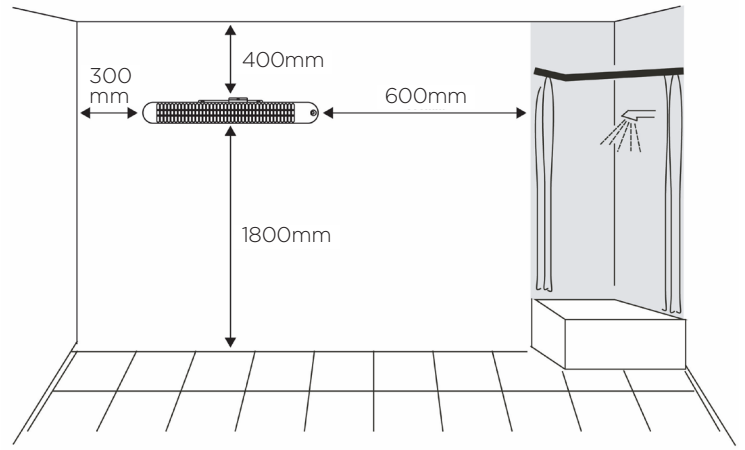


Fig. 3

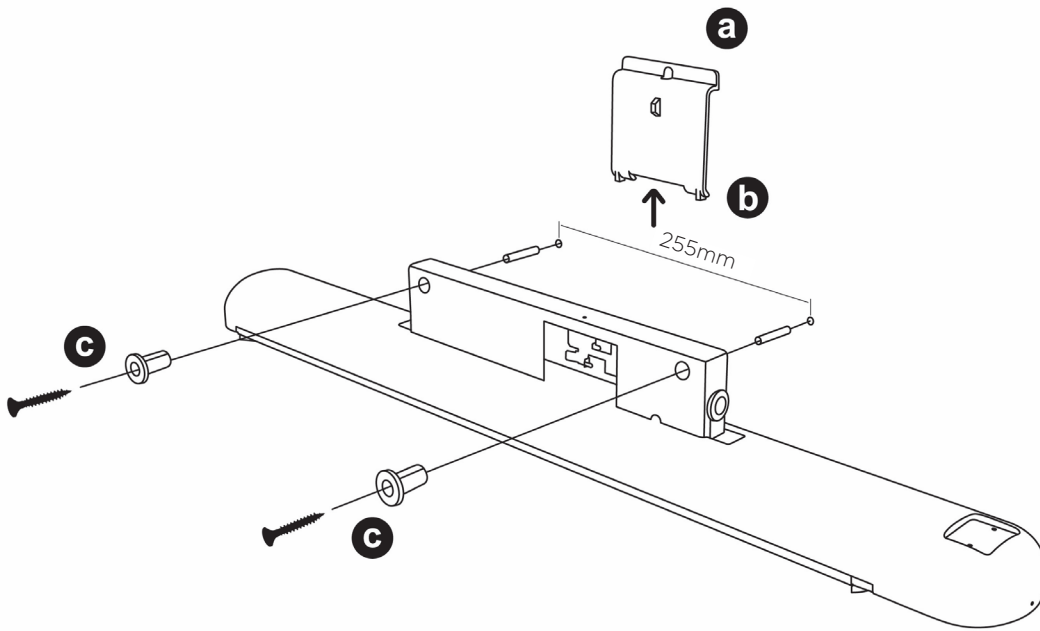
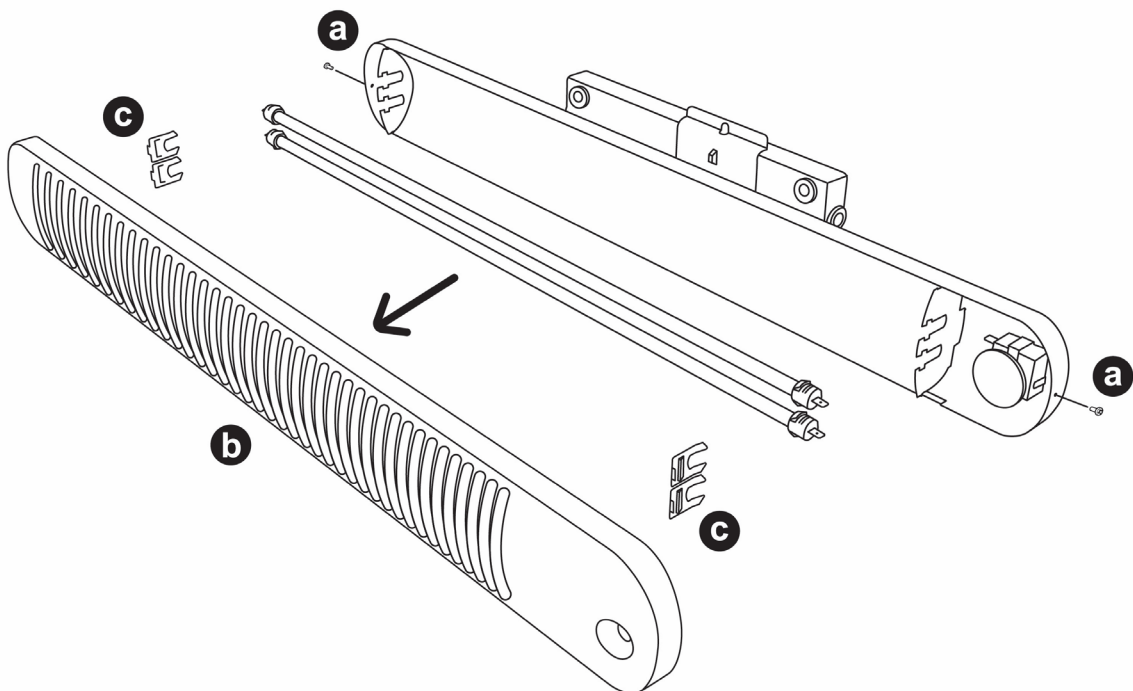


Fig. 4



General

The IRXE range of infra-red wall heaters are a safe, practical source of heat in bathrooms, kitchens, work areas - anywhere where fast localised heating is required. The IRXE uses quartz elements which emit a warm glow of medium wave infra-red. The IP24 rating means the appliance is suitably rated to be permanently installed either internally or externally.

Technical Details

Model Identifier(s):	IRX60/120E	
Nominal voltage	230-240V~	
Degree of Protection	IP24	
Dimensions (W x H x D)	768 x 100 x 92	
Weight	1.6kg	
Heat Output		
Nominal heat output	P _{nom}	1.2kW
Minimum heat output (indicative)	P _{min}	0.6kW
Maximum continuous heat output	P _{max, C}	1.2kW
Intrinsic Consumption		
At nominal heat output	el _{max}	0.00
At minimum heat output	el _{min}	0.00
In standby mode	el _{SB}	<0.0005
Control for heat output		
Two manual stages, no room temperature control		

Electrical Connection

The installation of this appliance should be carried out by a competent electrician and be in accordance with the current IEE wiring regulations and any local or insurance regulations.

The IRXE is designed for use on a 230-240V AC single phase supply. A double pole isolating switch with a minimum separation of 3mm in each pole must be fitted to facilitate isolation. This switch must either be positioned inside a building or have an IP rating against water ingress suitable for external installation. The appliance must be supplied through a residual current device (RCD) having a rated residual operating current not exceeding 30mA. The appliance must be connected to a socket-outlet having an earthing contact (for Class I appliances).

Remove Packaging (See Fig. 1)

Prior to installation remove the polystyrene inserts which secure the elements during transportation.

- Remove the two front grill screws.
- Remove the front grill in the direction of the arrow.
- Remove element protection polystyrene.

Replace front grill and reverse procedure.

Installation - Wall Mounting

The heater must be permanently fixed to the wall using the wall mounting bracket and screws supplied. The heater must be mounted horizontally as shown observing the minimum clearances stated in **Fig. 2**.

The minimum mounting height for the heater is 1.8 meters which requires that the the mounting holes for the wall bracket be drilled at a height of 1.9 meters.

a. Remove the screw (a) to release the plastic control molding. This will allow the unit to tilt forward and allow access to the securing holes on the back of the unit - see **Fig. 3**.

b. Place heater horizontally against the wall, mark and drill holes to suit and insert the two wall fixings supplied - see **Fig. 3**

c. Place the two plastic inserts into the holes provided on the control housing and tighten screws to secure heater - see **Fig. 3**

Replace control molding and fix heater to required angle.

The bracket allows the heater to be inclined at the required angle. The siting of the heater(s) should be such as to allow an even and uninterrupted distribution of radiation to the area(s) to be heated. Heaters are most effective when the beam angle is inclined down at an angle of between 30° to 45° to the vertical. When deciding upon the best location, consideration must be given to the following requirements:

a. Comfort and safety could be compromised unless the heater is mounted at or above 1.8m from ground level.

b. The minimum clearance distances must be maintained as shown in Fig. 2.

Operation

The desired heating level can be set by pulling the pull cord switch once or repeatedly. The set heating level can be read in the display window. In position "0" the heating device is switched off.

Power output in switch position:

Model	Display 0	Display 1	Display 1	Display 2
IRX60/120E	Off	600W	600W	1200W

W = output power in Watts

Element Replacement (see Fig.4)

WARNING: BEFORE UNDERTAKING THIS TASK, ENSURE THE HEATER IS DISCONNECTED FROM THE ELECTRICITY SUPPLY AND LEFT TO COOL FOR A MINIMUM OF 30 MINUTES

- Remove the two screws which hold the front grill onto the heater.
- Remove the front grill in the direction of the arrow.
- Remove the two element securing clips to release the element.
- Disconnect the element wires from each side of the element.
- Reverse procedure with new element.

Cleaning & User Maintenance

WARNING: BEFORE UNDERTAKING CLEANING OR MAINTENANCE WORK ON THE APPLIANCE, DISCONNECT THE ELECTRICITY SUPPLY

Since the appliance contains no moving parts little maintenance is required beyond cleaning and element replacement. It is however essential that the heater is not operated with an accumulation of dust or dirt on the element, as this can cause a build up of heat and eventual damage. For this reason the heater must be inspected regularly, depending upon conditions and at least at yearly intervals. Allow adequate time for the element and body casing to cool before attempting to work on the heater - a minimum time of 30 minutes is recommended.

If the bulb is accidentally touched by bare fingers remove the fingerprint with a soft cloth moistened with methylated spirits.

Recycling



For electrical products sold within the European Community. At the end of the electrical products useful life it should not be disposed of with household waste. Please recycle where facilities exist. Check with a Local Authority or retailer for recycling advice in your country. Batteries should be disposed of or recycled in accordance with WEEE Directive 2012/19/EU. Packaging should be recycled where possible.

What does a Dimplex Warranty Cover?

Dimplex products deliver reliable service for normal, household use in domestic settings. All Dimplex products are individually tested before leaving the factory.

If you are a consumer and you experience a problem with your Dimplex product, which is found to be defective due to faulty materials or workmanship within the Warranty Period, this Dimplex Warranty will cover repair or - at the discretion of Dimplex - replacement with a functionally equivalent Dimplex product.

The Dimplex Warranty Period is two calendar years from the date of purchase of your Dimplex product, or the date of delivery of the product, if later. The Dimplex Warranty is conditional upon you providing the original purchase receipt as proof of purchase. Please therefore retain your receipt as proof of purchase.

If you do experience a problem with your Dimplex product please call the Helpline on **+44 [0]344 879 3588** or visit <https://www.dimplex.co.uk/support>. For ROI please email serviceireland@glendimplex.com or call **+353(0)1 842 833**. We will need details of your Dimplex product, its serial number and a description of the fault which has occurred. You can find the model number and serial number for your Dimplex product on the heaters side. Once we receive your information and proof of purchase we will contact you to make the necessary arrangements.

If your Dimplex product is not covered by this Dimplex Warranty there may be a charge to repair your product. However, we will contact you for agreement to any charges before any chargeable service is carried out.

What is not covered by a Dimplex Warranty?

The Dimplex Warranty does not cover any of the following:

- Any fault or damage to your Dimplex product due to faulty materials or workmanship occurring outside the two-year Warranty Period.
- Any fault or damage occurring to any pre-owned Dimplex product or to any other equipment or property.

- Accidental damage to your Dimplex product or damage to your Dimplex product from external sources (for example, transit, weather, electrical outages or power surges).
- Fault or damage to your Dimplex product which is:
 - Not due to faulty materials or workmanship or which is due to circumstances outside Dimplex's control.
 - Caused by use of your Dimplex product for anything other than normal domestic household purposes in the country where it was purchased.
 - Caused by any misuse, abuse or negligent use of the Dimplex product, including but not limited to any failure to use it in accordance with the Operating Instructions supplied with the product.
 - Caused by any failure to assemble, install clean and maintain your Dimplex product in accordance with the Operating Instructions supplied with the product unless this was carried out by Dimplex or its authorised dealers.
 - Caused by repairs or alterations to your Dimplex product not carried out by Dimplex service personnel or its authorised dealer(s).
 - Caused by use of any consumables or spare parts for your Dimplex product which are not Dimplex -specified.

Terms and Conditions

- The Dimplex Warranty is valid for Dimplex from the date of purchase of your Dimplex product from a recognised retailer in the country of purchase and use, or the date of delivery of the product if later, always provided the original receipt has been retained and is produced as proof of purchase.
- You must provide to Dimplex or its authorised agents on request the original receipt as proof of purchase and - if required by Dimplex - proof of delivery. If you are unable to provide this documentation, you will be required to pay for any repair work required.
- Any repair work under the Dimplex Warranty will be carried out by Dimplex or its authorised dealer(s) and any parts that are replaced will become the property of Dimplex. Any repairs performed under the Dimplex Warranty will not extend the Warranty Period.
- Any replacement of your Dimplex product by Dimplex during the Warranty Period will start the two-year Warranty Period afresh from the date of delivery of the replacement Dimplex product to you.
- The Dimplex Warranty does not entitle you to recovery of any indirect or consequential loss or damage including but not limited to loss or damage to any other property.
- The Dimplex Warranty is in addition to your statutory rights as a consumer and your statutory rights are not affected by this Dimplex Warranty.



Customer Helpline: 0344 879 3588
aftersales@dimplex.co.uk
www.dimplex.co.uk

Glen Dimplex Heating & Ventilation
Millbrook House, Grange Drive, Hedge End, Southampton, SO30 2DF

© Glen Dimplex. All rights reserved. Material contained in this publication may not be reproduced in whole or in part, without prior permission in writing of Glen Dimplex

CE This product complies with the European Safety Standards EN60335:2-30 and the European Standard Electromagnetic Compatibility (EMC) EN55014:1, EN55014:2, EN61000:3-2 and EN61000:3-3 which cover the essential requirements of EMC Directive 2014/30/EU and the LVD Directive 2014/35/EU.