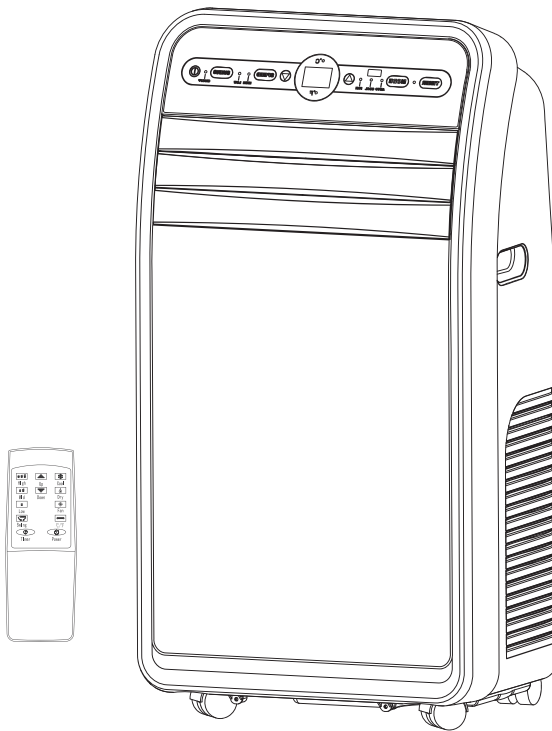




RHINO

PORTABLE AIR CONDITIONER

OPERATING INSTRUCTIONS



RHINO 9000: H03620
RHINO 12000: H03621

RHINO - designed and distributed by Birchwood Price Tools. Birchwood Price Tools is a trading name of Toolstream Limited.

BD20A1222RMS19 - 001





USER MANUAL

Thank you for choosing this Rhino portable air conditioner. Please read the Manual carefully before operation. In case of any issues please contact your distributor or the manufacturer.

CONTENT

Important Safety Tips

Precautions	3
-------------	---

Product Introduction

Main Parts and Components	4
Control Panel and Remote Controller	5

Product Operation

Placement and Installation	6
Operation Method	8

Cleaning and Maintenance

Drainage Method	9
Maintenance	9

Common Failures and Diagnosis

Intelligent Error Detection	10
Fuse Parameters	10
Troubleshooting	10

BEFORE INITIATION

To avoid damage, place the unit in an upright position for at least 24 hours before initiation. Make sure that the air outlet and air inlet are never blocked. Only operate the unit on a horizontal surface to ensure no water leaks out.



IMPORTANT SAFETY TIPS

PRECAUTION

Please read the manual carefully before operating the machine:

- This machine is for household or light industrial use only.
- This machine is for indoor use only. Please place it in a dry environment.
- Check the power cord frequently. When the power cord, plug or A/C is damaged, please don't operate. If the power cord is not long enough, a power extension cable can be used.
- The A/C should be away from a heat source and avoid direct sunlight.
- Turn off the A/C before unplugging.
- Turn off and unplug the A/C before removing, cleaning or replacing parts.
- Clean the A/C according to the manual.
- Children are not allowed to play with the A/C.
- Don't insert your fingers or any hard object in to the air outlet.
- Don't place the A/C near or next to water or other liquid. Prevent water or liquid from entering the A/C.
- If the power cord is damage the unit should not be used and repaired immediately by qualified persons, manufacturers representative or the manufacturer.
- Please use only the accessories provided with the A/C, using any other parts may result in damage or impaired performance.
- Keep any required ventilation openings clear of obstruction;
- Ducts connected to an appliance shall not contain a potential ignition source;
- When the portable air conditioner or dehumidifier is turned on, the fan can work continuously under normal conditions to provide the minimum air volume of 100m³/h even when the compressor is closed due to the low temperature.
- Do not perforate any of the components in the refrigerant circuit. Refrigerant gas may be odourless

SPECIAL WARNING:

- Place the A/C on even ground and install it vertically, to ensure normal operation of the compressor.
- The A/C should be at least 50cm away from surrounding objects. Keep air inlet and outlet clear of obstructions.
- Don't use the A/C next to flammable liquids or within a solvent laden environment.
- Don't use aerosols, any airborne solvents or any flammable substances within the operating area of the A/C.



CAUTION

**Additional warning for appliance with R290 refrigerant gas
(refer to the rating plate for the type of refrigerant gas used)**

READ THE MAUAL CAREFULLY BEFORE USING THE APPLIANCE
R290 refrigerant gas complies with European environmental directives. This appliance contains approximately 235g (9000) 245g (12000) of R290 refrigerant gas Appliance shall be installed, operated and stored in a room with a floor area larger than 12m².

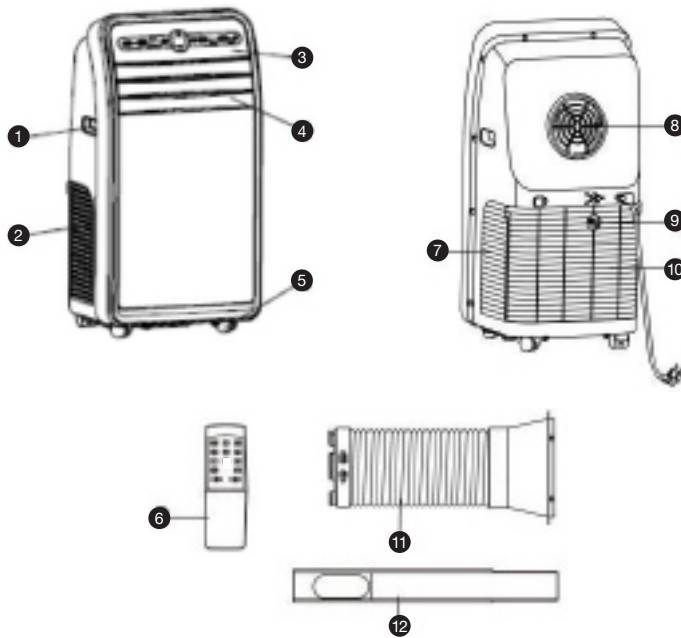


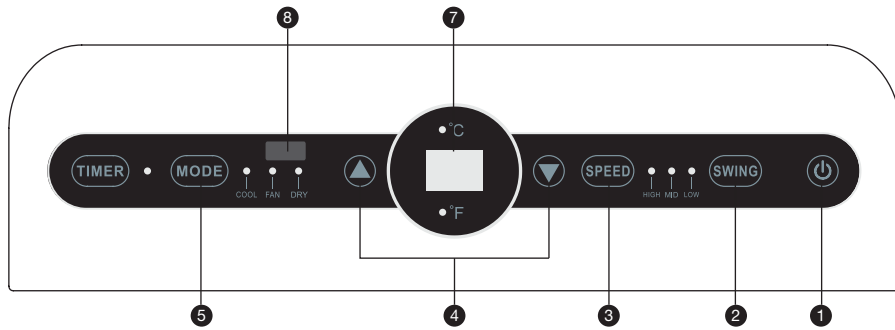


PRODUCT INTRODUCTION

MAIN PARTS AND COMPONENTS

- | | |
|---------------------------|-------------------------------------|
| 1. Handle | 7. Air inlet (R) |
| 2. Air inlet (L) | 8. Air outlet |
| 3. Control panel | 9. Dehumidification drainage nozzle |
| 4. Air adjustment louvres | 10. Air inlet grille |
| 5. Caster | 11. Exhaust duct assembly |
| 6. Remote controller | 12. Window sealing plate assembly |





CONTROL PANEL AND REMOTE CONTROLLER

1. Power Button

Press the button to turn ON/OFF the A/C.

2. Swing Button

Press this button at any time after turning on the A/C to swing the air louvres automatically.

3. Speed Button

Press the button to choose high/mid/low fan speed.

4. Temperature / time adjusting Button

Press the button at cooling mode to increase/reduce the setting temperature; press it at timing mode to adjust timing ON/OFF time; press Up and Down button simultaneously to switch Fahrenheit and Centigrade degree temperature.

5. Mode Button

Press the button to choose COOL (Air Conditioning), FAN (Forced Air), DRY (Dehumidification).

6. Timer Button

Press the button at standby mode to set ON time. Press this button at ON mode to set OFF time.

7. Temperature / time display window

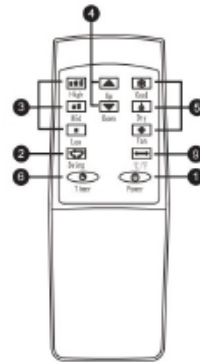
This window displays the adjusted temperature and time.

8. Remote controller receiving window

This window is used to receive the signal from the remote controller.

9. °C/°F switching Button

Press the button to switch between °C and °F on the remote control.

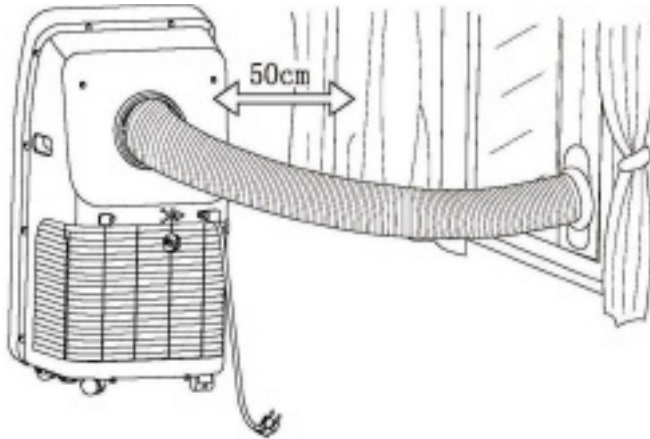




PLACEMENT AND INSTALLATION

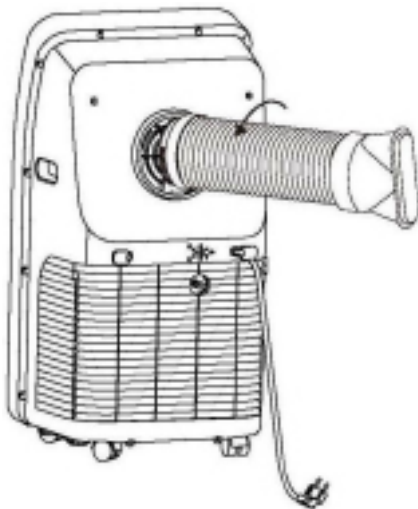
PLACEMENT

- Place the A/C on dry level surface, and keep it at least 50 cm's away from any objects/ surfaces to ensure optimum ventilation.



INSTALLATION

- To connect the exhaust duct assembly into the rear of the A/C align and twist anti-clockwise to secure into position.





- Insert the air exhaust hose into the window sealing plate, adjust opening width of window so that the window can match with the sealing plate properly; length of the sealing plate is adjustable.
- If your window does not accommodate this style of fitting, ensure the venting externally to the room to be cooled and secure in position. NB the temperature of the air expelled from the duct will be warm and therefore consideration is required if the outlet of the duct is not outside.

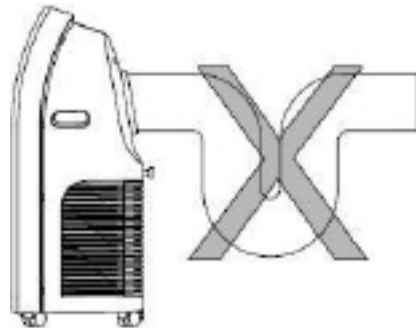


INCORRECT INSTALLATION

- It's important to keep the exhaust duct smooth. Incorrect installation will affect the performance of the A/C.
- Prevent the exhaust duct from bending / kinking above 90°, restricted exhaust air flow will impair performance and may cause failure.
- Ensure air can flow smoothly through the duct.

WARNING:

The exhaust duct is designed especially for this model. Don't replace or lengthen it; otherwise it could result in failure or poor performance.





OPERATION METHOD

COOLING MODE (COOL)

Please read the manual carefully before operating the machine:

- When the A/C enters cooling mode automatically, or COOL mode is selected after power ON, the cooling indicator lamp lights up.
- Press Up/Down key to adjust setting temperature.
- Press Speed key to choose High/Mid/Low speed.

FAN MODE (FAN)

- When pressing mode key or choosing FAN mode by pressing the remote controller, the fan indicator lamp lights up.
- Press Speed key to choose High/Mid/Low fan speed.
- Temperature can't be set, it will operate at the room temperature.

DEHUMIDIFICATION MODE (DRY)

- When pressing mode key or choosing DRY mode by pressing the remote controller, the dehumidification indicator lamp lights up.
- Remove the dehumidification water plug, insert the water drainage pipe (supplied). Please the other end of the drainage pipe in a collection vessel or direct into a drain, ensure the drain or vessel is below the level or the outlet drain on the A/C. As shown on the figure to the right.
- In dehumidification mode, if the room temperature is $\geq 17^{\circ}\text{C}$ the compressor will switch on. If the room temperature is $\leq 16^{\circ}\text{C}$ the compressor will switch off. Once the room temperature achieves $\geq 17^{\circ}\text{C}$ the compressor will switch on.
- In dehumidification mode, the fan is defaulted to run at low speed, and air speed can't be adjusted.
- The temperature can't be set when using the dehumidify function. Remove the exit pipe plug otherwise it will cause a decrease in performance and appear "FL" water full alarm.



TIMER MODE

- Whilst the unit is in standby mode, press the Timer button to set the ON time. Press the UP or DOWN key to adjust the delay before the A/C switches on. Note the units displayed are in hours (1-24hrs) and only allows to set the switch on time. The timer indicator will illuminate.
- Whilst the unit is ON, press the Timer button to set the OFF time. Press the UP or DOWN key to adjust the delay before the A/C switches off. Note the units displayed are in hours (1-24hrs) and only allows to set the switch on time. The timer indicator will illuminate.





CLEAN AND MAINTENANCE

DRAINAGE METHOD

This product is equipped with automatic water vaporization system. The condenser is cooled with the circulating of condensing water, so as to improve cooling efficiency and save energy.

- If the internal vessel is full of water, the display screen will display "FL", and the compressor stops working automatically. After power off, unscrew the water cover, pull out the water plug to drain off water, and it will become normal after being restarted.



MAINTENANCE

Notice: in order to avoid electric shock, please turn off the A/C and unplug before maintenance or repair.

CLEANING

- Unplug before cleaning.
- Wipe with soft semi-dry cloth. Don't use chemical cleaners.

FILTER SCREEN

- Wash the filter screen once every two weeks. If it is blocked by dust, efficiency of the A/C will be reduced.
- Take out the air inlet grille and pull out the filter screen at both sides according to the direction shown in the following figures.
- Put the filter screen into the warm water (about 40°C) added with neutral detergent, dry the filter after cleaning in the shade, avoid direct sunlight.



SEASONAL CLEANING

If the A/C will not be used for a long time:

- Pull out the water plug to drain.
- Run the A/C in fan mode for 2H until its dry inside.
- Turn off the A/C and unplug.
- Wash the filter screen and reassemble it.
- Dismantle the exhaust duct and store it properly.
- Cover the A/C with a plastic bag and place it in a dry place.





COMMON FAILURES AND DIAGNOSIS

INTELLIGENT ERROR DETECTION

Error-detecting code	Multi-functional defection
E1	Error of the coils temperature sensor.
E2	Error of indoor temperature sensor.
E4	Anti-freezing protection: temperature of the coil is too low and whole A/C is off. When temperature exceeds 8°C, the protection is released and previous working state is recovered.

FUSE PARAMETERS Specification: ø5x20mm - Voltage: 250V AC - Current: 3.15A

TROUBLE SHOOTING

Trouble	Cause	Solution
The A/C doesn't work.	Not plugged in.	Plug the unit in.
	The display panel displays "FL".	Restart the A/C after the power off and draining, normal function should return.
	Time off function is started.	The A/C can be restarted 3 minutes after being turned off.
The A/C starts frequently.	Direct sunlight.	Remove/ limit direct sunlight or re-position the A/C.
	Doors and windows keep opening; there are lots of people or a heat source in the room.	Close door and windows, remove heat source.
	Filter screen is very dirty.	Clean or replace it.
	Air inlet or outlet is blocked.	Remove blockage.
The A/C is making a loud noise.	The A/C is placed unevenly.	Place it on a even and firm ground, avoid shaking.
The compressor doesn't work.	Its delay protection has started.	Wait for 3 minutes, turn it back on after temperature decreases.

Notice: When there is any abnormal performance to the A/C, turn the unit off and unplug, then contact a qualified professional person, the distributor or the manufacturer.

The above technical parameters are subject to change without notice.





Meaning of crossed – out wheeled dustbin:

Do not dispose of electrical appliances as unsorted municipal waste, use separate collection facilities.

Contact your local government for information regarding the collection systems available. If electrical appliances are disposed of in landfills or dumps, hazardous substances can leak into the groundwater and get into the food chain, damaging your health and well-being.

When replacing old appliances with new ones, the retailer is legally obligated to take back your old appliance for disposal, free of charge.





RHINO

Rhino designed and distributed by Birchwood Price Tools.
Birchwood Price Tools is a trading name of Toolstream Limited.

